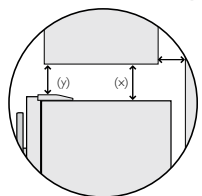
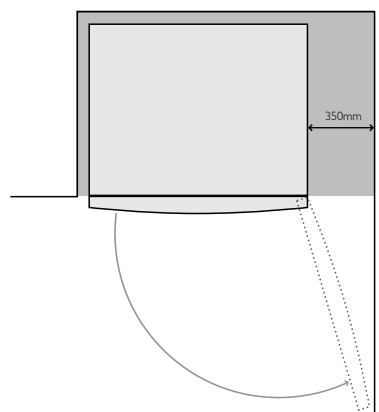
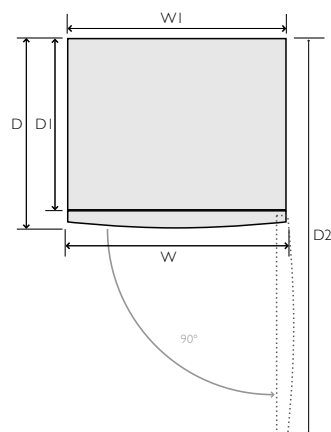
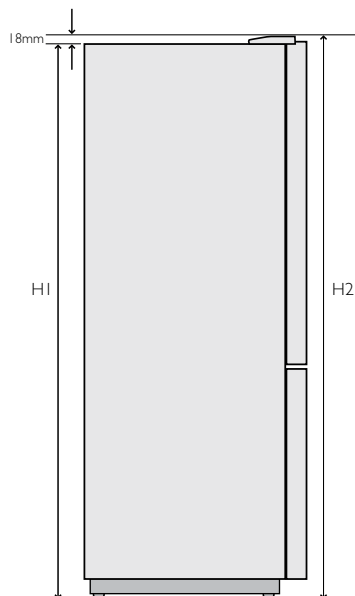
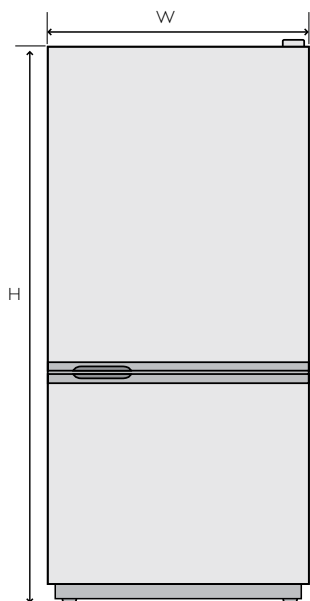
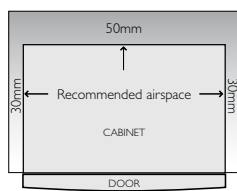


# EZI bottom mount dimensional drawings

## Recommended airspaces:



If you do not have a cupboard with a rear gap, the recommended clearance on top increases from 50mm to 90mm (x) and 32mm to 72mm (y).



When positioned in a corner area, spacing of at least 350mm on the fridge side will allow the doors to open enough to enable the removal of the bins and glass shelves.

Model	Max. door height (H)	Cabinet height (H1)	Total height (H2)	Door width (W)	Cabinet width (W1)	Total depth (D)	Cabinet depth (D1)	Depth door open (D2)
SBM5100	1714	<b>1702</b>	1720	803	<b>790</b>	703	<b>612</b>	1450
SBM4300	1714	<b>1702</b>	1720	703	<b>690</b>	703	<b>612</b>	1350
SBM3800	1714	<b>1702</b>	1720	703	<b>690</b>	641	<b>550</b>	1288

## Warranty

Electrolux Home Products warrants that for domestic application the Simpson refrigerators featured in this brochure are free from defects in materials and workmanship for 2 years from date of first purchase subject to the conditions set out in the warranty card accompanying the product when purchased (3 months for commercial applications). A further 3 year warranty applies to the sealed system for domestic applications only.